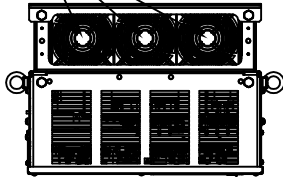
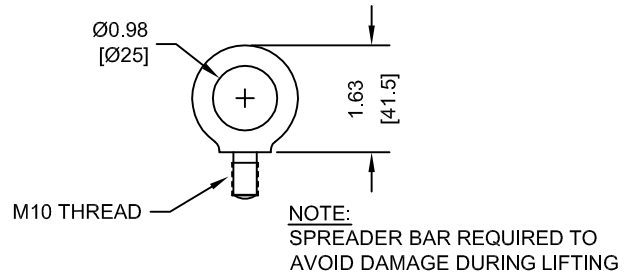


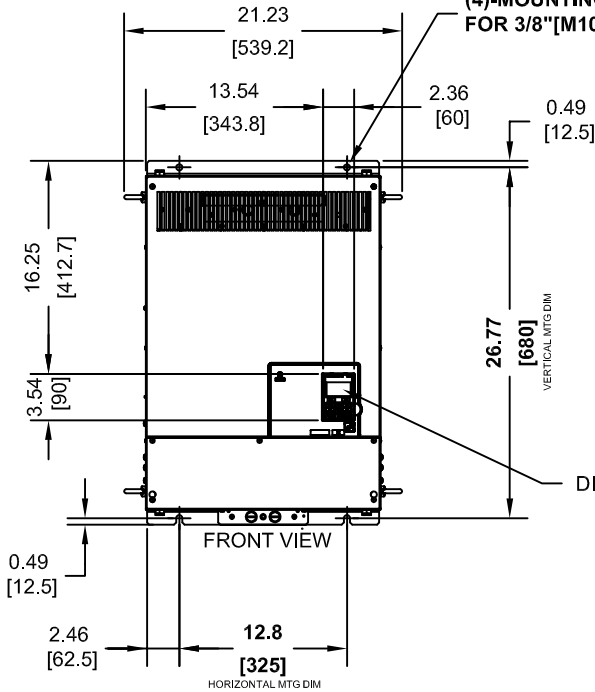
(3) EXTERNAL COOLING FANS



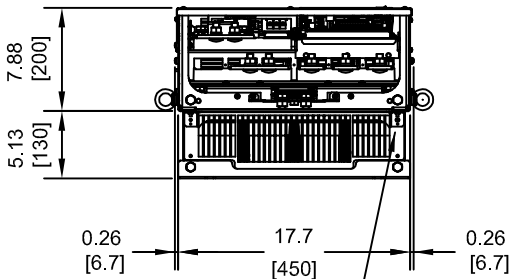
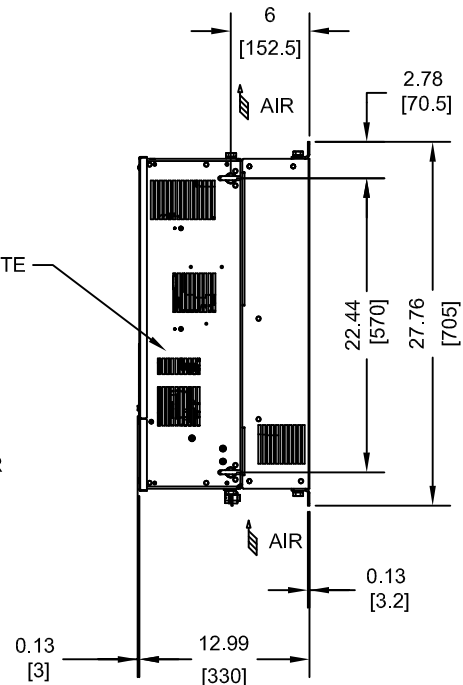
LIFTING AND EYEBOLT DETAILS



(4)-MOUNTING HOLES FOR 3/8" [M10] SCREWS



NAMEPLATE
DIGITAL OPERATOR



OPTIONAL CAPACITOR COVER
WHEN USING AN EXTERNAL MOUNT HEATSINK, UL COMPLIANCE REQUIRES COVERING EXPOSED CAPACITORS IN THE MAIN CIRCUIT TO PREVENT INJURY. CONSULT MANUAL FOR DETAILS.

MODEL # CIMR-DU	VOLTAGE THREE-PHASE (VAC)	OUTPUT CAPACITY (kW)	WEIGHT LBS (Kg)	HEAT LOSS (W) (Fc=4kHz)		
				INT	EXT	TOT
2A0065AXX	200/240	65	125 (57)	464	1193	1657
2A0090AXX		90	134 (61)	619	1616	2235

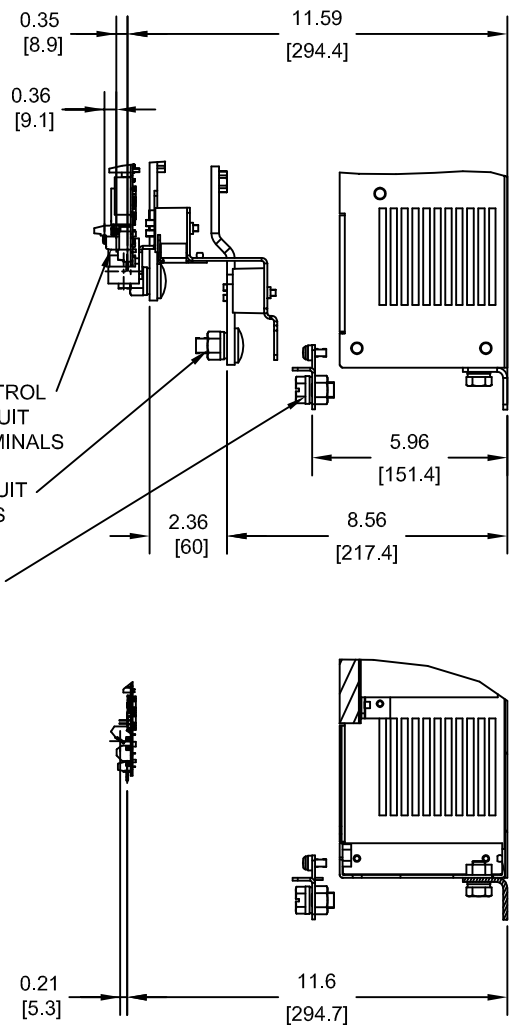
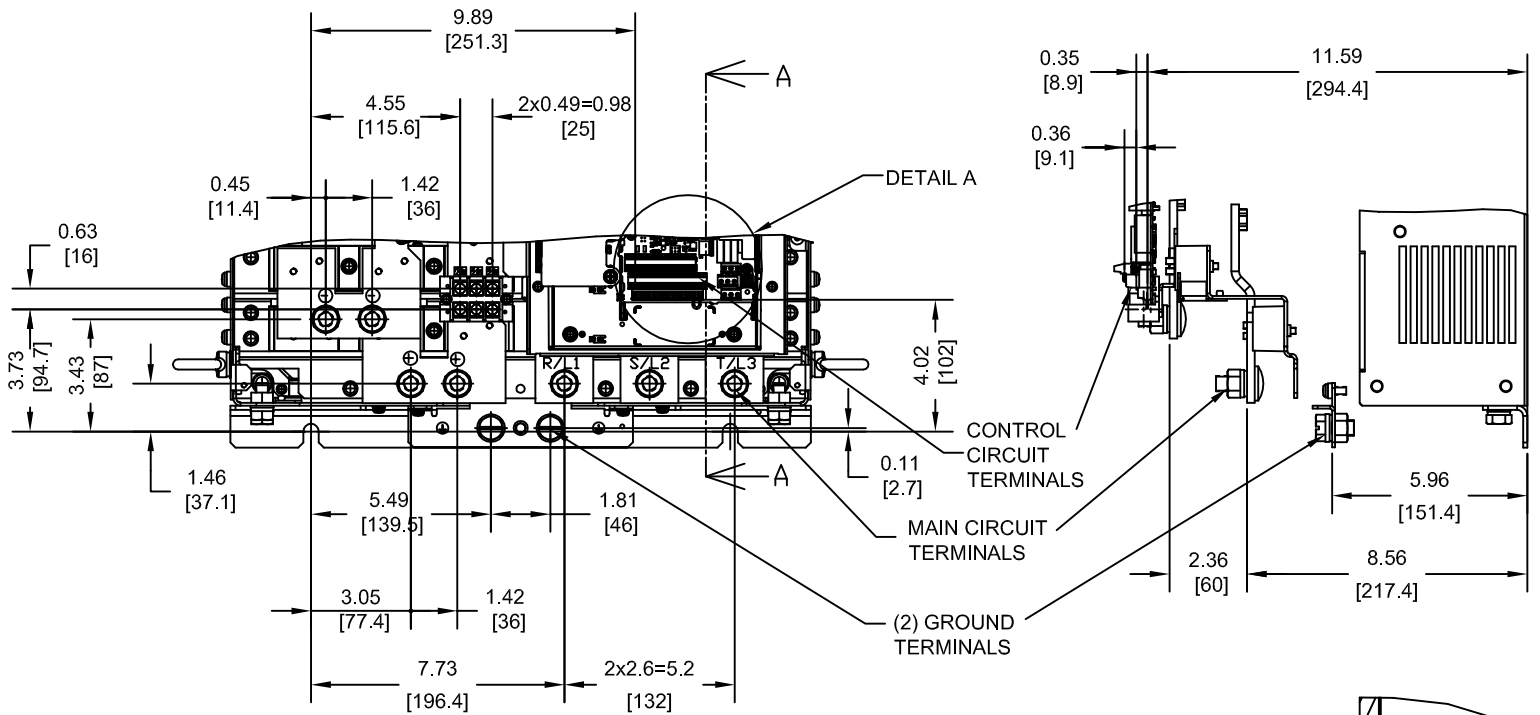
NOTE:
XX DENOTES AA-ZZ

INT=INTERNAL COMPONENTS
EXT=EXTERNAL HEATSINK
TOT=TOTAL

FOR ADDITIONAL DETAILS AND SPECIFICATIONS, CONSULT MANUAL

TOLERANCES / REFERENCES:		<p>THIS DOCUMENT AND INFORMATION CONTAINED IN IT ARE CONFIDENTIAL, AND CANNOT BE COPIED OR DISCLOSED IN WHOLE OR IN PART WITHOUT THE EXPRESS WRITTEN CONSENT OF YASKAWA AMERICA, INC.</p>	DRAWN: J. MATTAS DATE: 7-17-14	TITLE: D1000 DIMENSION DRAWING FRAME SIZE 5 IP00 ENCLOSURE 2A0065A & 2A0090A
			CHECKED: J. PIOTROWSKI DATE: 7-22-14	SIZE: A REVISION: R00 PAGE: 1 of 3
			TECH: J. BORJA DATE: 7-24-14	DRAWING #: DD.D1K.FR5.IP00
UNITS: IN [mm]	SCALE: 1:15		APPROVED: J. CAIRO DATE: 9-19-14	ORIGINAL DESIGN: -

TERMINAL AND WIRING DETAILS (SCALE 1:6)

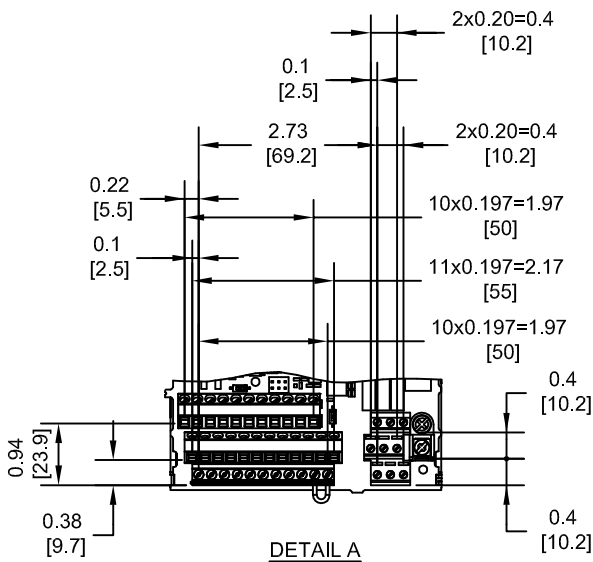


SECTION A-A

TERMINAL AND WIRE SPECIFICATIONS FOR MAIN CIRCUIT AND GROUND

MODEL # CIMR-DU	TERMINAL SYMBOL	TERMINAL SCREW	CLAMPING TORQUE lb.in.(N.m.)
2A0065A 2A0090A	R/L1, S/L2, T/L3, ⊖, ⊕	M12	283 TO 354 (32 TO 40)
	r1/Ø11, s1/Ø21, t1/Ø31 ⊕	M4	9.7 TO 10.6 (1.1 TO 1.2)
	⊕	M12	283 TO 354 (32 TO 40)

NOTE: REFER TO APPLICABLE CODES FOR PROPER WIRE TYPE AND SIZE

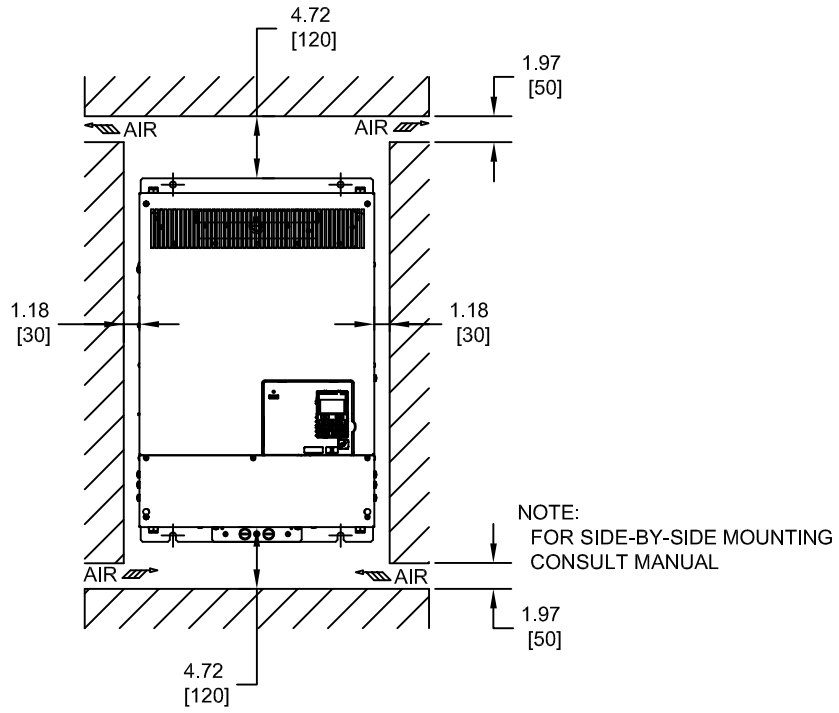


DETAIL A

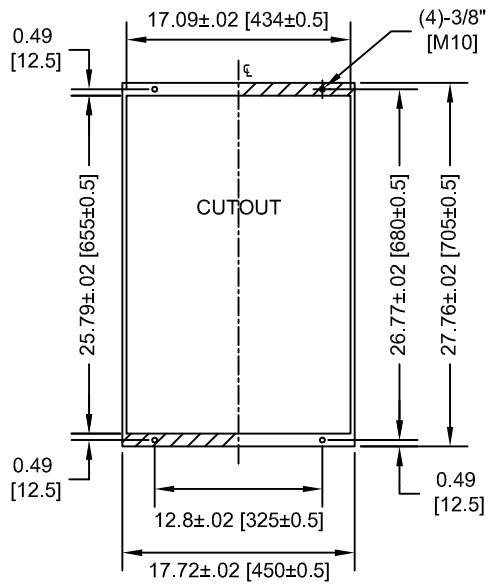
FOR ADDITIONAL DETAILS AND SPECIFICATIONS, CONSULT MANUAL

TOLERANCES / REFERENCES:			DRAWN: J. MATTAS DATE: 7-17-14	TITLE: D1000 DIMENSION DRAWING FRAME SIZE 5 IP00 ENCLOSURE 2A0065A & 2A0090A
UNITS: IN [mm]	SCALE: BY VIEW		CHECKED: J. PIOTROWSKI DATE: 7-22-14	REVISION: R00
THIS DOCUMENT AND INFORMATION CONTAINED IN IT ARE CONFIDENTIAL, AND CANNOT BE COPIED OR DISCLOSED IN WHOLE OR IN PART WITHOUT THE EXPRESS WRITTEN CONSENT OF YASKAWA AMERICA, INC.		TECH: J. BORJA DATE: 7-24-14	DATE: 9-19-14	DRAWING #: DD.D1K.FR5.IP00
		APPROVED: J. CAIRO	ORIGINAL DESIGN: -	

MINIMUM INSTALLATION CLEARANCES (SCALE 1:15)



PANEL CUTOUT FOR EXTERNAL HEATSINK MOUNTING CONFIGURATION (SCALE 1:15)



FOR ADDITIONAL DETAILS AND SPECIFICATIONS, CONSULT MANUAL

TOLERANCES / REFERENCES:			DRAWN: J. MATTAS	DATE: 7-17-14	TITLE: D1000 DIMENSION DRAWING FRAME SIZE 5 IP00 ENCLOSURE 2A0065A & 2A0090A		
			CHECKED: J. PIOTROWSKI	DATE: 7-22-14			
		THIS DOCUMENT AND INFORMATION CONTAINED IN IT ARE CONFIDENTIAL, AND CANNOT BE COPIED OR DISCLOSED IN WHOLE OR IN PART WITHOUT THE EXPRESS WRITTEN CONSENT OF YASKAWA AMERICA, INC.			TECH: J. BORJA	DATE: 7-24-14	
					APPROVED: J. CAIRO	DATE: 9-19-14	
UNITS: IN [mm]	SCALE: BY VIEW				ORIGINAL DESIGN: -	DATE: -	DRAWING #: DD.D1K.FR5.IP00
					SIZE: A	REVISION: R00	PAGE: 3 of 3